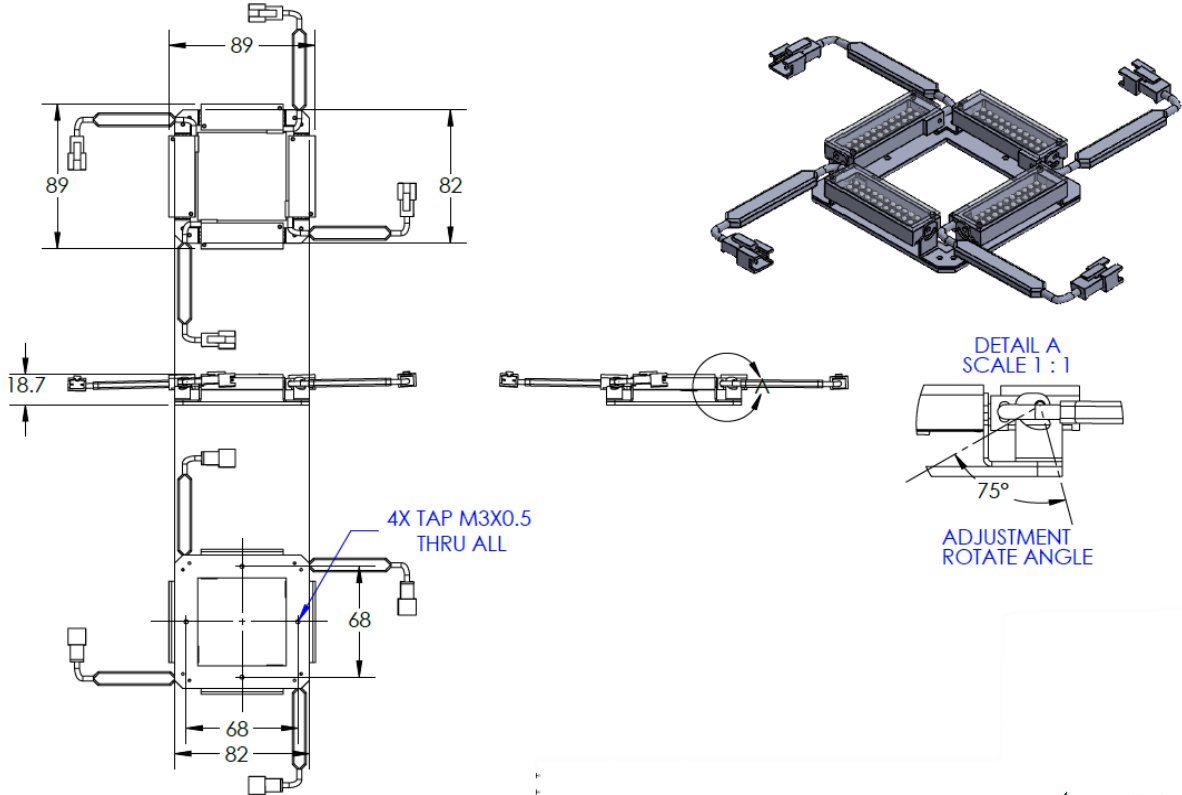




# ILLUMINATOR DATA (ID)

## LBMQ-00-040-3-W-24V

### Lighting Dimension




Mechanical Information	
Casing Material	Aluminium
Storage Temperature Range	Temp 0-45°C, Humidity 20-85%
Weight	168 g
Length / Outer Diameter	89 mm
Width / Inner Diameter	89 mm
Thickness / Height	18.7 mm



# ILLUMINATOR DATA-ID

## LBMQ-00-040-3-W-24V

Optical Information																					
Part Number	LBMQ-00-040-3-W-24V																				
LED Color	WHITE																				
Wavelength	(nm) *Refer to the Chromaticity Table below																				
Intensity (±15)	(Lux) 3770 5640 6520																				
Working Distance	(mm) 10 20 30																				
Illumination (number of row)	3																				
Illumination Active Area																					
Active Length / Outer Dia.	(mm) 50																				
Active Width / Inner Dia.	(mm) 9.1																				
Emission angle	(deg.) 0																				
Eye Safety Class ( IEC62471 )	EXEMPT																				
*CHROMATICITY TABLE																					
	<table border="1"> <tr> <td>X</td> <td>0.296</td> <td>0.287</td> <td>0.307</td> <td>0.311</td> <td>X</td> <td>0.311</td> <td>0.307</td> <td>0.33</td> <td>0.33</td> </tr> <tr> <td>Y</td> <td>0.276</td> <td>0.295</td> <td>0.315</td> <td>0.294</td> <td>Y</td> <td>0.294</td> <td>0.315</td> <td>0.339</td> <td>0.318</td> </tr> </table>	X	0.296	0.287	0.307	0.311	X	0.311	0.307	0.33	0.33	Y	0.276	0.295	0.315	0.294	Y	0.294	0.315	0.339	0.318
X	0.296	0.287	0.307	0.311	X	0.311	0.307	0.33	0.33												
Y	0.276	0.295	0.315	0.294	Y	0.294	0.315	0.339	0.318												
Electrical Information																					
Lighting Supply Voltage (constant voltage mode)	24V ± 2%																				
Continuous Current	(mA) 360																				
Power Consumption	(W) 8.64																				
Lighting casing temperature, Operating after 60 minutes	°C 50.6																				
Strobe Mode Specification																					
Pulse Operation	YES																				
Max. Lighting Supply Voltage (Constant voltage power supply)	(V) Pulsing at 24VDC to 48VDC, 0-10% Duty Cycle Recommended at 36VDC																				
Pulse Current, (Max. 10msec) (Constant current power supply)	(mA) 1080																				
Max. Trigger Pulse Duration	(msec) 10																				
Duty Cycle	0-10%																				
Additional Information																					
Additional Cooling Method	Attached to machine part for better heat dissipation																				
Intensity Controller Selection	ANGX, SD, ST & SDA series																				
CE Conformity	YES																				
RoHS Compliance	YES																				
Connection																					
Connector Type (Default):	JST SMR-03V																				
Cable Length out from lighting :	(mm) 500																				
Pin Configuration :	<table border="1"> <thead> <tr> <th>Pin</th> <th>Signal</th> <th>Cable Color</th> </tr> </thead> <tbody> <tr> <td>1</td> <td>LED +</td> <td>RED</td> </tr> <tr> <td>2</td> <td>N.C.</td> <td>---</td> </tr> <tr> <td>3</td> <td>LED -</td> <td>WHITE</td> </tr> </tbody> </table>	Pin	Signal	Cable Color	1	LED +	RED	2	N.C.	---	3	LED -	WHITE								
Pin	Signal	Cable Color																			
1	LED +	RED																			
2	N.C.	---																			
3	LED -	WHITE																			
																					
Application																					
Illumination Type	Direct Illumination																				
Application Use	General illumination, label inspection, character inspection, code recognition																				



**VISION CONSULTANCY**  
MAKING THE UNSEEN VISIBLE

Thank you for downloading this document from  
[www.machine-vision-shop.com](http://www.machine-vision-shop.com)

If you have any questions, you need help composing the  
right package for your application or do you want to order?

Feel free to contact us via e-mail at [sales@vision-consultancy.nl](mailto:sales@vision-consultancy.nl) or visit our webshop.

Our vision experts are happy to help you.



Natascha Overhof



Christian Cromptoets



**VISION CONSULTANCY**

Robert Schumandomein 2  
6229 ES Maastricht  
The Netherlands

+31 (0) 438 522 651

[sales@vision-consultancy.nl](mailto:sales@vision-consultancy.nl)  
[www.machine-vision-shop.com](http://www.machine-vision-shop.com)

Scan me to visit  
[machine-vision-shop](http://machine-vision-shop.com)

